

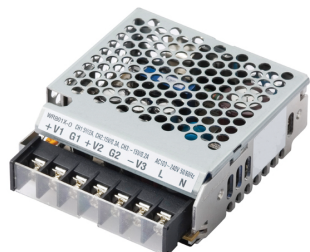


ETA-USA

THE POWER PROFESSIONALS

WRB**X-O

50 Watt AC/DC Triple Output



Universal Input
 Compact design with Inrush current protection
 Triple Output
 -WRB01X-O: 5, 12, -12 VDC
 -WRB04X-O: 5, 15, -15 VDC
 2 year Warranty



		UNIT							
INPUT	Voltage/Freq	V	AC100V - 240V (AC85V ~ 264V or DC125V~ 370V), 50 / 60Hz (47 ~ 440Hz) Universal Input voltage						
	Current Typ.	A	1.2 at 110V; .7 at 220V (I _o =100%)						
	Power Factor	-	--						
	Inrush Current	A	20A typ (AC IN 110V, I _o =100%), 40A typ (AC IN 220V, I _o =100%) at cold start						
	Leakage	mA	0.75						
		UNIT	WRB01X-O	WRB04X-O					
OUTPUT	Nominal Voltage	VDC	5	12	12	5	15	15	
	Efficiency typ	%	75 typ			75 typ			
	Current	A	0.5~5	1.8	0.3	0.5~5	1.4	0.3	
	Line Regulation	mV	50 max	120 max	120 max	50 max	150 max	150 max	
	Load Regulation	mV	100 max	240 max	240 max	100 max	300 max	300 max	
	Ripple	mVp-p	80 max	120 max	120 max	80 max	120 max	120 max	
	Ripple Noise maximum	mVp-p	120 max	150 max	150max	120 max	150 max	150max	
	Temperature Drift [0-+50C]	mV	75 max	180 max	180 max	75 max	225 max	225 max	
	Rise Time	mS	1000 max [AC IN 110V I _o =100%]						
	Hold up Time	mS	17 typ [AC IN 110V, I _o =100%]						

Protection	Over Voltage	Works at 115~140% of rating	
	Over Current	Works at 105% over rated current and recovers automatically	
Isolation	Input-Output	AC 3,000V 1 minute current 20mA, DC 500V 100MΩ (At room temperature & Humidity)	
	Input-F.G	AC 2,000V 1 minute current 20mA, DC 500V 100MΩ (At room temperature & Humidity)	
	Output-F.G	AC 500V 1 minute current 100mA, DC 500V 100MΩ (At room temperature & Humidity)	
Environment	Operating temp/hum	-10 ~ +70°C, 20 ~ 90% RH(Non condensing)	
	Storage temp/hum	-20 ~ +75°C, 20 ~ 90% RH(Non condensing)	
	Vibration	10 ~ 55Hz at 1G, 3 minutes period, 30 minutes along X, Y and Z axis	
	Impact	10G for 20ms once on each X, Y and Z axis	
Safety	CE CB	IEC 60950-1	EN60950-1
	Line Con RF Voltage	EN55022-A	
Size	MM/G	82 x 35.5 x 135 (150)	360



ETA-USA

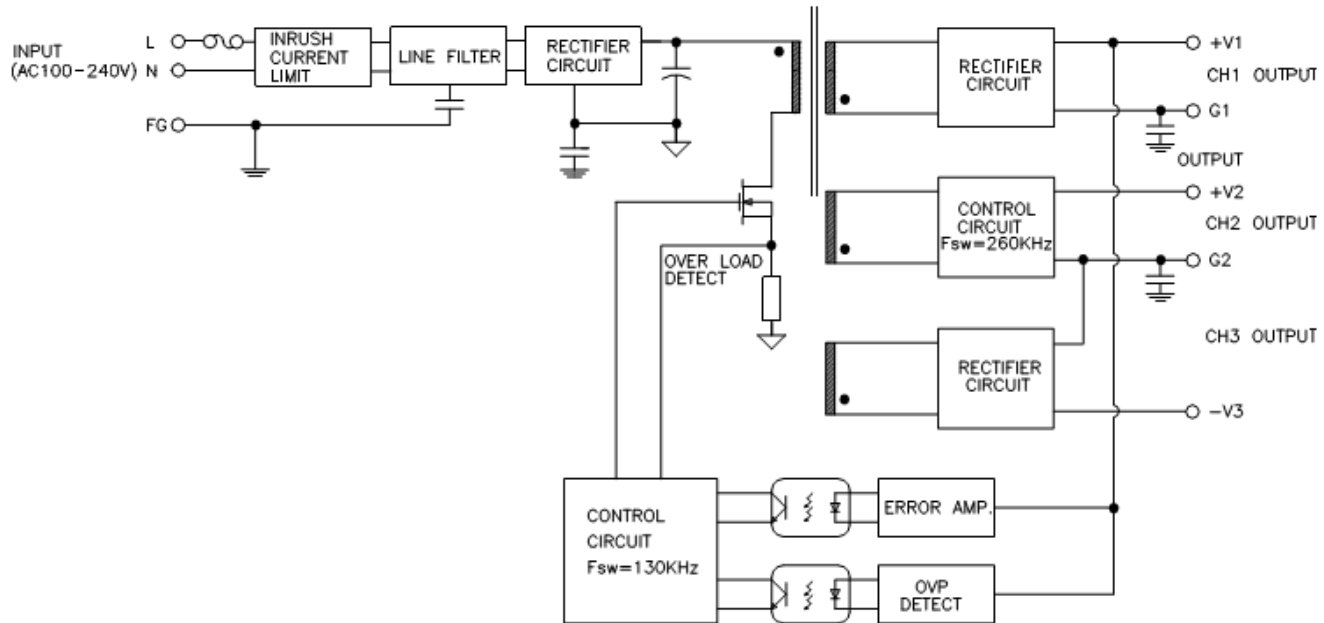
16170 Vineyard Blvd, Suite 180 Morgan Hill, CA 95037 <http://www.eta-usa.com>
 Toll-free (US only): 800-ETA-POWR (800-382-7697) Telephone: 408 778-2793 FAX: 408-779-2753



ETA-USA

THE POWER PROFESSIONALS

BLOCK DIAGRAM



ETA-USA

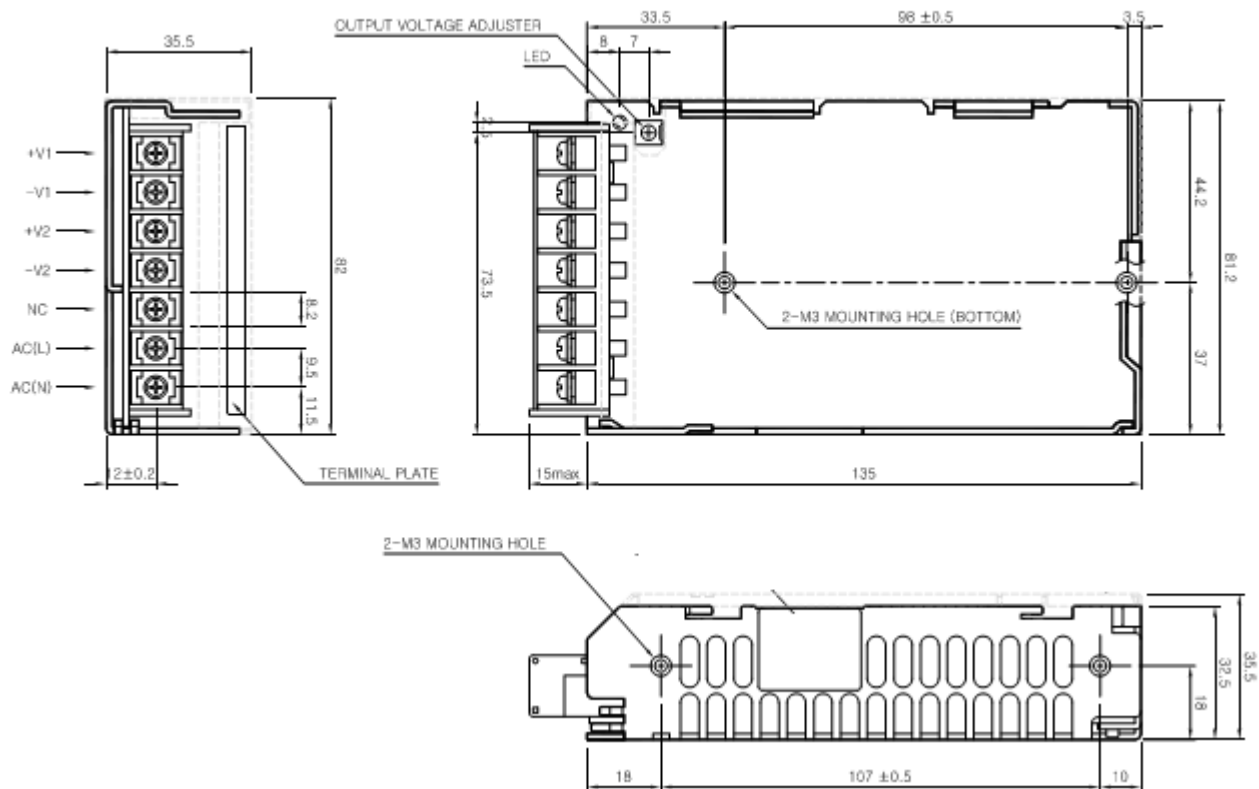
16170 Vineyard Blvd, Suite 180 Morgan Hill, CA 95037 <http://www.eta-usa.com>
Toll-free (US only): 800-ETA-POWR (800-382-7697) Telephone: 408 778-2793 FAX: 408-779-2753



ETA-USA

THE POWER PROFESSIONALS

DIMENSIONAL DRAWING (mm)



Mark	Pin Connection	Function
L	AC L	SMPS AC Terminal (FUSE IN LINE)
N	AC N	SMPS AC Terminal
+V1	DC Output	DC (+) Terminal
G1	GND	DC (+V1) GND Terminal
+V2	DC Output	DC (+) Terminal
G2	GND	DC (+V2, -V3) GND Terminal
-V3	DC Output	DC (-) Terminal



ETA-USA

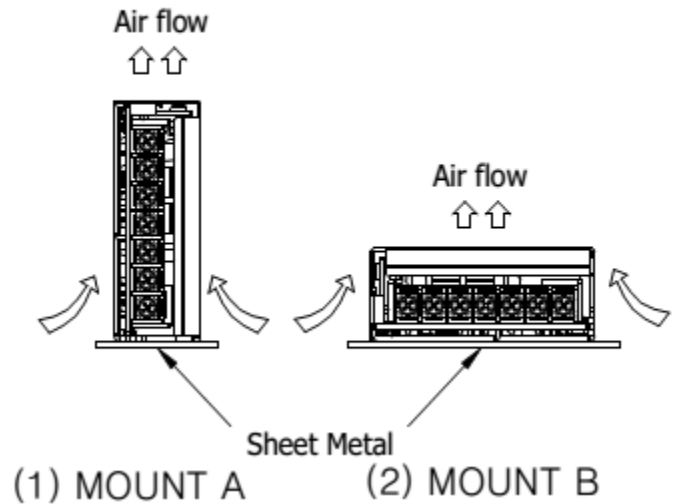
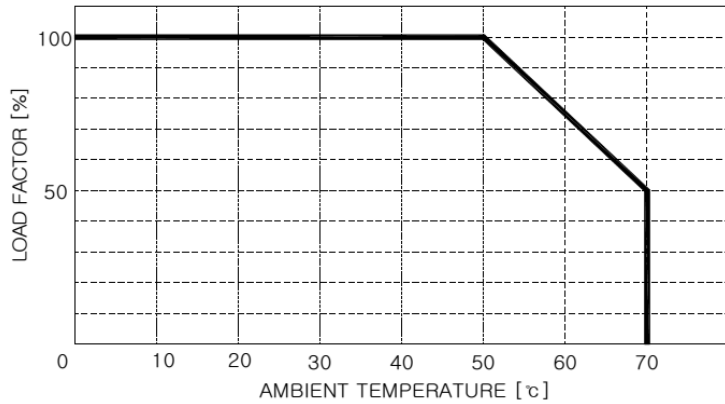
16170 Vineyard Blvd, Suite 180 Morgan Hill, CA 95037 <http://www.eta-usa.com>
Toll-free (US only): 800-ETA-POWR (800-382-7697) Telephone: 408 778-2793 FAX: 408-779-2753



ETA-USA

THE POWER PROFESSIONALS

DERATING CURVE AND RECCOMENDED MOUNTING DIAGRAM



ETA-USA

16170 Vineyard Blvd, Suite 180 Morgan Hill, CA 95037 <http://www.eta-usa.com>
Toll-free (US only): 800-ETA-POWR (800-382-7697) Telephone: 408 778-2793 FAX: 408-779-2753